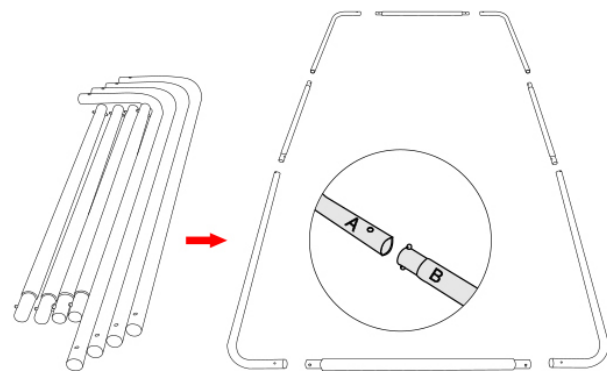
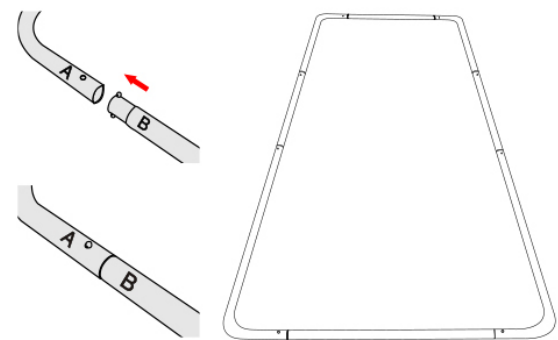


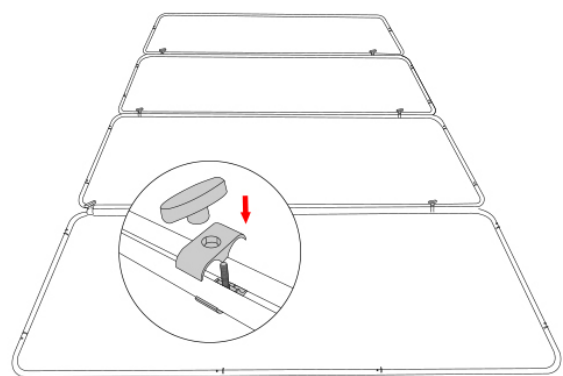
Instructions



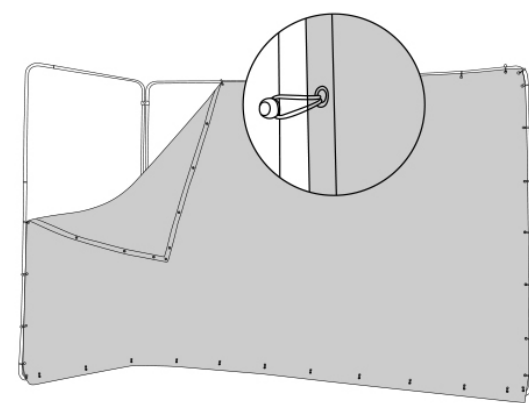
1 Each frame is combined by 4pcs straight tubes-A and 4pcs curved tubes-B. (As picture).



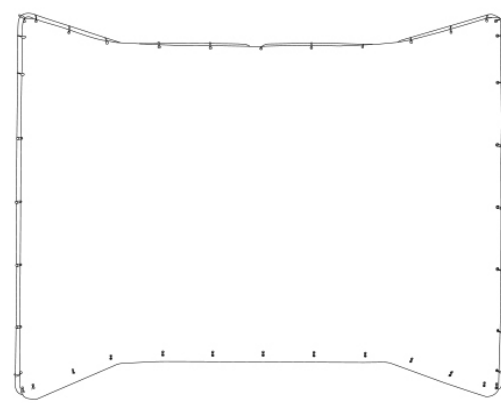
2 Please connect tube A with tube B by pressing down the spring pin, until it is bounced back.



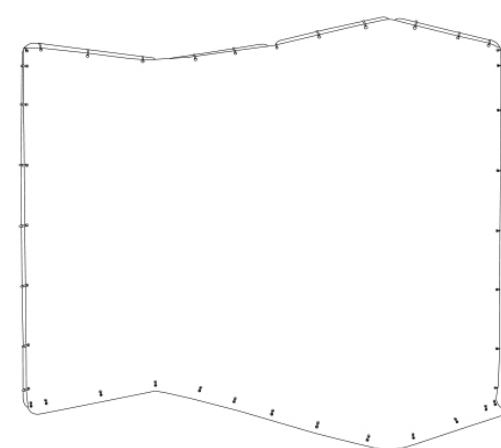
3 Use hinge clips to connect two frames.



4 Use elastic cords to mounted background on frames.



5 Complete the installation.



6 Change different shapes according to demand.